



# water™ RM SERIES

AWARD WINNING DESIGN, PROVEN PERFORMANCE



- Australian Made
- 100% Rust Proof Cabinet
- Optional Filtration
- Optional Glass Filler
- Optional Colours available
- 2 Year Comprehensive Warranty
- Vandal and Impact Resistant Construction

	White		Blue
	Metallic		Yellow
	Black		Sandstone
	Red		Green
	Granite (standard)		

MANY OTHER COLOURS AVAILABLE (P.O.A.)

Design Registration  
No. 158110.  
Unit depicted has  
optional Glass Filler fitted.



Building and  
Construction Sites



Offices and  
Corporate Buildings



Standard Unit  
(bubbler only)

# RM SERIES

AWARD WINNING DESIGN, PROVEN PERFORMANCE

## GENERAL FEATURES

**RUST PROOF CABINET:** The RM Series water cooler cabinets are made of roto-moulded, pigmented polyethylene. This U.V. stabilised material provides an external cabinet which is durable, modern and 100% rust proof.

**SERVICE ACCESS:** The front access panel is secured with four (4) concealed screws. Removal of this panel provides access for any purpose including service, maintenance and filter replacement.

**VANDAL RESISTANCE:** The top and basin on the RM Series is a single piece, (not numerous parts screwed together). This, combined with the internally fitted drain grill and the robust nature of polyethylene, provides unequalled vandal resistance.

## OPTIONAL FEATURES:

**FILTRATION:** The internal, in-line filter will reduce sediment, chemicals, organic compounds and impurities which can adversely affect the quality and taste of your drinking water. Periodic filter replacement is easily achieved through the front panel. \*NB Always specify "F" option in model number.

**TWO WAY GLASS FILLER:** When fitted to the standard, (bubbler only) unit, the 2 way glass filler allows one touch activation for precise pouring or hands free for continuous flow. \*NB Always specify "GF" option in model number.

**CABINET COLOURS:** Apart from the standard "granite" colour and the examples overleaf, the RM Series water coolers are also available in a myriad of other colour options. There is also the option of mixing the colours of the front panel and the cabinet to display corporate or sporting teams colours. (Price on application). \*NB Always specify "CUSTOM" in model number.

## INSTALLATION CONNECTIONS

**ELECTRICAL:** A 1.5 metre cordset with standard 3 pin plug is provided. The RM Series of water coolers do not have any specialised power requirements and can be plugged into any standard 240V 1PH 50Hz power point.

**WATER INLET:** The inlet is an industry standard 1/2" female BSP threaded connection situated on the rear of the cooler, (see installation instructions for exact rough in details).

**DRAIN OUTLET:** The drain outlet and integrated 'P' trap provide an industry standard 40mm connection situated on the rear of the cooler. (see installation instructions for exact rough in details).

## WARRANTY

**2 YEAR COMPREHENSIVE WHOLESALE WARRANTY:** The entire range of Waterworks RM Series water coolers is covered by a 2 Year Comprehensive Warranty (copy available on request). The warranty provides comprehensive parts and labour coverage, for the period of 2 years from the date of original sale.

## SHIPPING DETAILS

PACKED WEIGHT: 28kg

PACKED VOLUME: 0.208M3

PACKED DIMENSIONS: 420mmW x 420mmD x 1180mmH

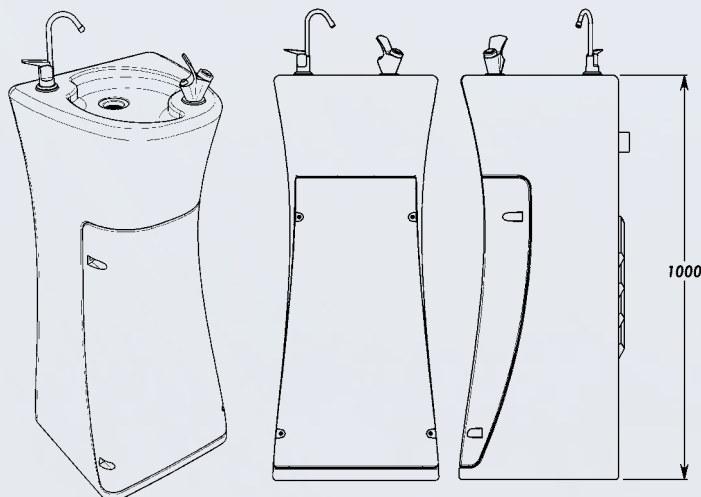
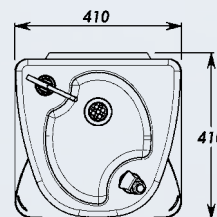
## CAPACITIES CHART

MODEL NUMBER	AMBIENT TEMP	INLET TEMP	LITRES/HR 10°C WATER	RESERVOIR VOLUME
RM10	32°C	27°C	12.1 LPH	1.9 Litre
RM20	32°C	27°C	20.2 LPH	1.9 Litre
RM30	32°C	27°C	28.3 LPH	1.9 Litre

\* Based on intermittent use under environmental conditions of ARI Standard 1010 and installation requirements of ARI Standard 1020.

\*\* Due to our policy of continuous development, specifications are subject to change without notice.

\*\*\* Colours are as close to actual as printing processes allow.



Distributed by...



A1 Water Filters  
Phone 1300 341 852  
Email [info@a1waterfilters.com.au](mailto:info@a1waterfilters.com.au) • [www.a1waterfilters.com.au](http://www.a1waterfilters.com.au)